



News

For Immediate Release

Over 35 Years of
High Performance
Customer Service

NEW ONLINE COST- AND TIME-SAVING CYLINDER SERVICE FROM YATES INDUSTRIES.

St. Clair Shores.—Yates Industries, the leading manufacturer of custom and rebuilt cylinders, is proud to provide a new Configurator online service. The Configurator is specifically designed to help customers download immediate quotes and drawings using easy-to-follow screens. Engineers and other end users can utilize this electronic design automation to automatically generate to scale production drawings, product images, 3D VRML web-viewable, and CAD downloadable files. Yates customers are very pleased with this online service, as they can now configure a precise cylinder for their unique application from a wide variety of CAD formats, including 2D and 3D capabilities.

“It’s great for verifying dimensioning during the design process.”

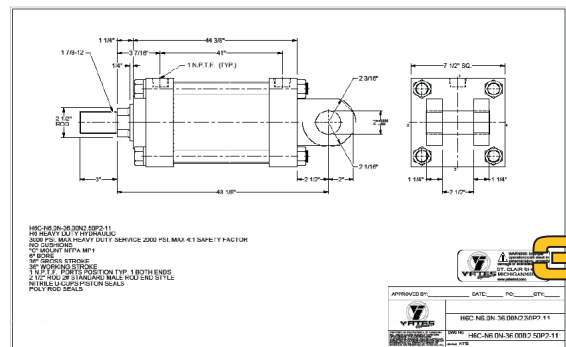
Bill Konieczny
Mechanical Engineering Manager - Coe Press Equipment Corporation
OEM, Press Feeding Equipment.

Yates Industries, with offices in St. Clair Shores, Michigan and Decatur, Alabama – is an ISO 9001:2008 certified company offering quality high performance cylinders and the largest most complete repair facility in the country. Yates warranties are among the best in the business and the company offers 24/7 emergency service.

For over 35 years, Yates Industries has been offering reliability, peak performance and “First Time, Every Time” service at competitive prices.



William H. Yates III
President
23050 Industrial Dr. E.
St. Clair Shores, MI
48080
586.778.7680
sales@yatesind.com
www.yatesind.com



YATES Cylinders CONFIGURATOR



For information: Contact Yates Industries, 586.778.7680
Press Contact: John LeDuc, 734.769.0266

LeDuc Creative
Art, Business, Technology & Thought

Yates Industries, Inc.
23050 Industrial Dr. E.
St. Clair Shores, MI 48080
586.778.7680 ph
586.778.6565 fax



Your Cylinder Source Since 1972

sales@yatesind.com
www.yatesind.com



Yates Industries South, LLC
3401-J Highway 20
Decatur, AL 35601
ph 256.351.8081
fax 256.351.8571