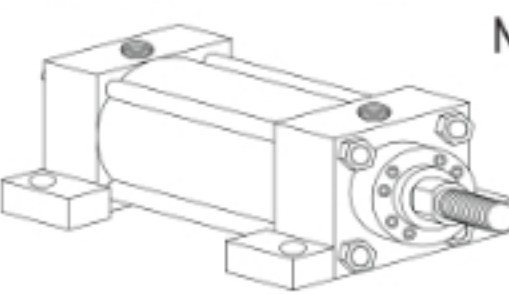
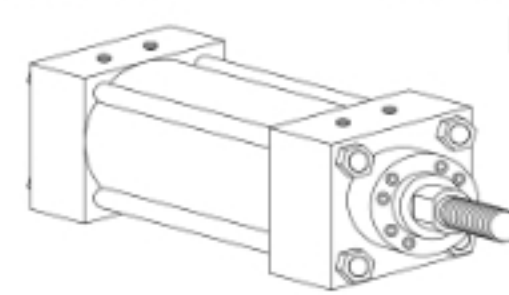
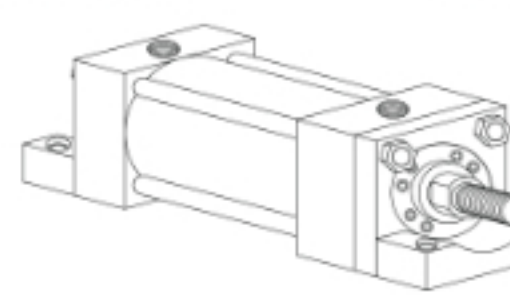
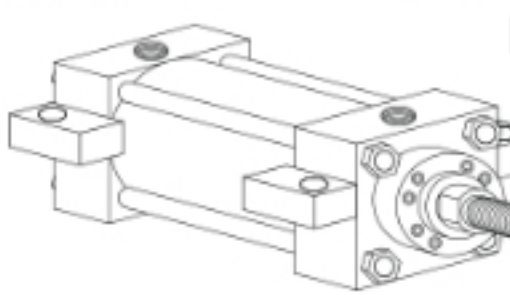
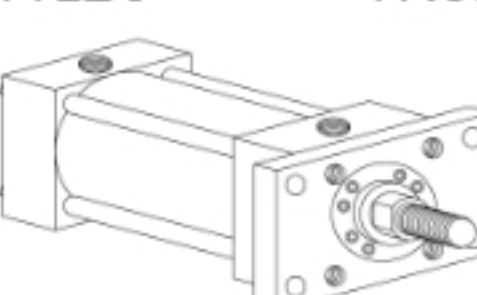
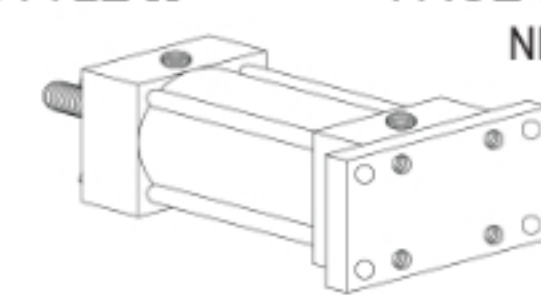
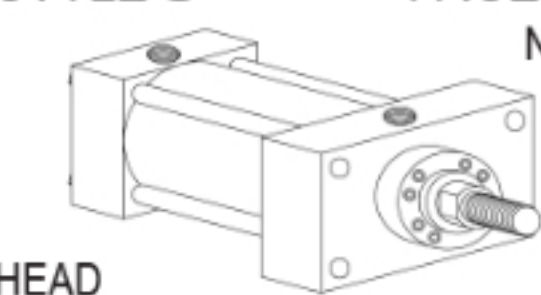
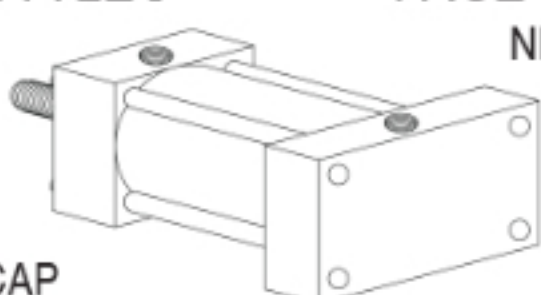
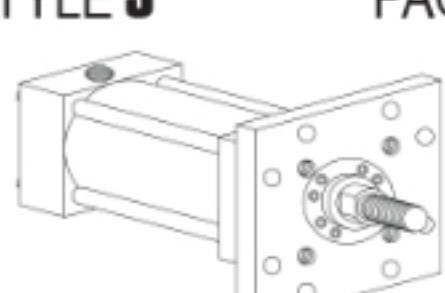
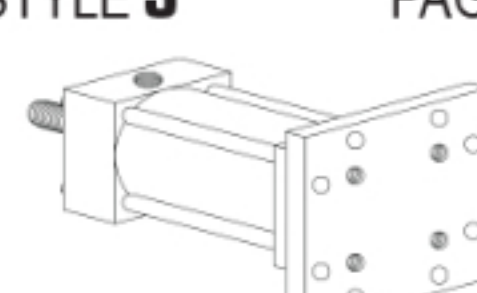
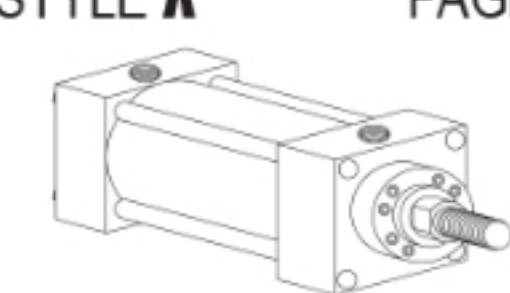
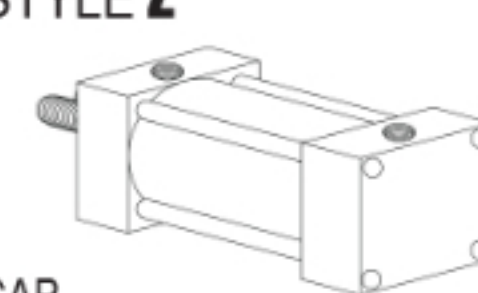
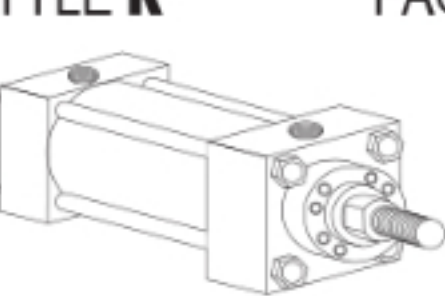
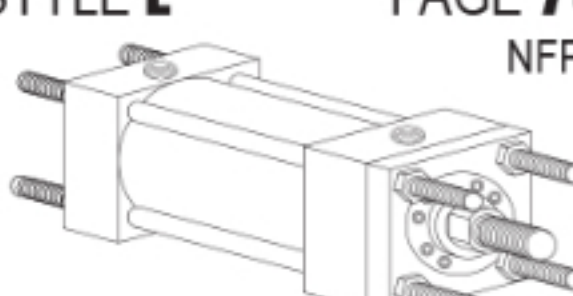
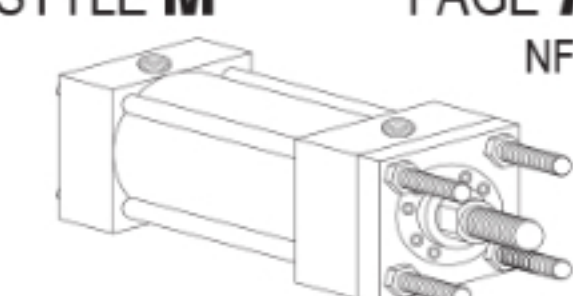
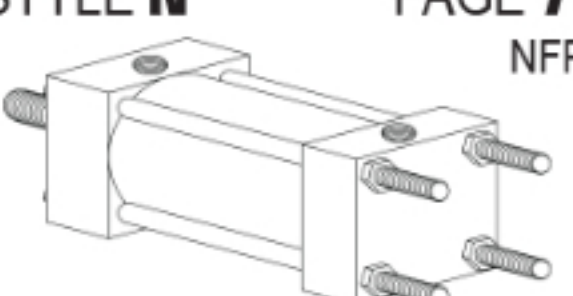


Side Mounts

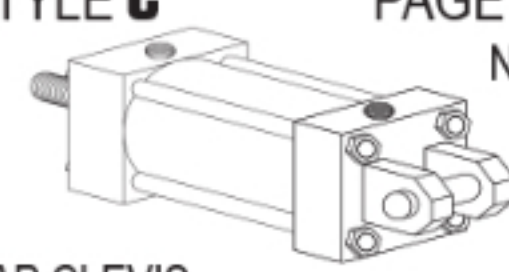
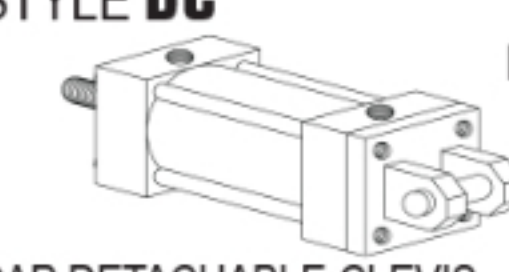
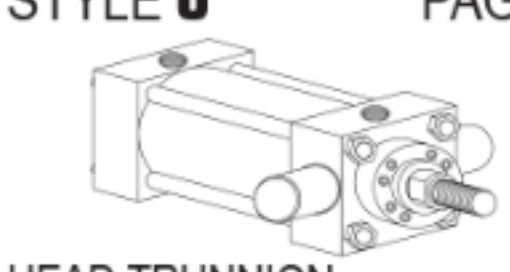
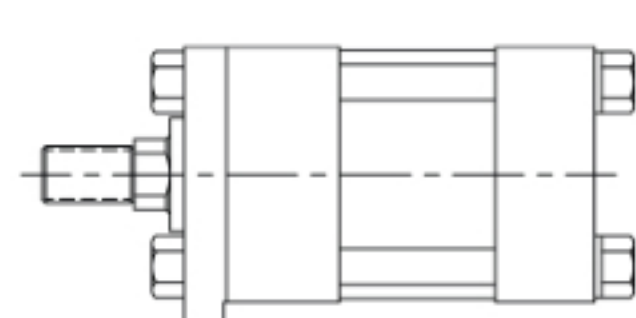
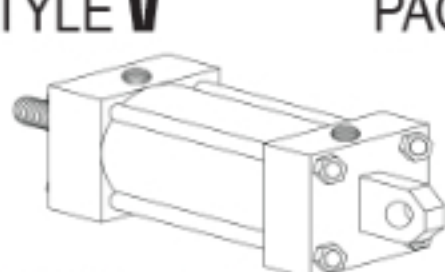

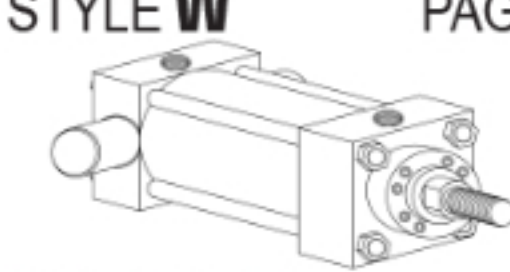

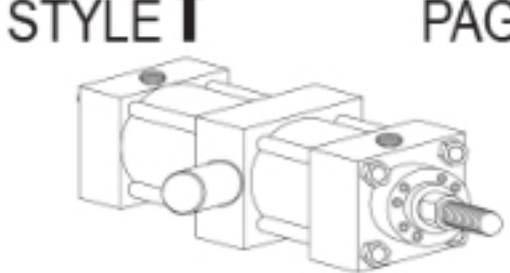
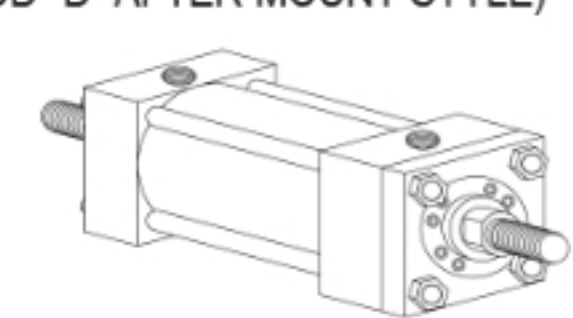
<p>STYLE A PAGE 46-49 NFPA-MS2</p>  <p>SIDE LUGS 1 1/2-20" BORE</p>	<p>STYLE B PAGE 46-49 NFPA-MS4</p>  <p>SIDE TAPPED 1 1/2-20" BORE</p>	<p>STYLE E PAGE 50-51 NFPA-MS7</p>  <p>SIDE END LUGS 1 1/2-14" BORE</p>	<p>STYLE H PAGE 46-49 NFPA-MS3</p>  <p>CENTER-LINE LUGS 1 1/2-20" BORE</p>
---	--	--	---

End Mounts

<p>STYLE F PAGE 64-65 NFPA-MF1</p>  <p>HEAD RECTANGULAR FLANGE 1 1/2-6" BORE</p>	<p>STYLE R PAGE 64-65 NFPA-MF2</p>  <p>CAP RECTANGULAR FLANGE 1 1/2-6" BORE</p>	<p>STYLE G PAGE 66-67 NFPA-ME5</p>  <p>HEAD RECTANGULAR INTEGRAL FLANGE 1 1/2-6" BORE</p>	<p>STYLE P PAGE 66-67 NFPA-ME6</p>  <p>CAP RECTANGULAR INTEGRAL FLANGE 1 1/2-6" BORE</p>
<p>STYLE J PAGE 64-65 NFPA-MF5</p>  <p>HEAD SQUARE FLANGE 1 1/2-6" BORE</p>	<p>STYLE S PAGE 64-65 NFPA-MF6</p>  <p>CAP SQUARE FLANGE 1 1/2-6" BORE</p>	<p>STYLE X PAGE 68-69 NFPA-ME3</p>  <p>SQUARE INTEGRAL FLANGE 8-20" BORE</p>	<p>STYLE Z PAGE 68-69 NFPA-ME4</p>  <p>CAP SQUARE INTEGRAL FLANGE 8-20" BORE</p>
<p>STYLE K PAGE 70-73 NFPA-MX0</p>  <p>NO TIE RODS EXTENDED 1 1/2-20" BORE</p>	<p>STYLE L PAGE 70-73 NFPA-MX1</p>  <p>BOTH ENDS TIE RODS EXTENDED 1 1/2-20" BORE</p>	<p>STYLE M PAGE 70-73 NFPA-MX3</p>  <p>HEAD TIE RODS EXTENDED 1 1/2-20" BORE</p>	<p>STYLE N PAGE 70-73 NFPA-MX2</p>  <p>CAP TIE RODS EXTENDED 1 1/2-20" BORE</p>

Pivot Mounts - Clevis & Eye

Pivot Mounts - Trunnion

<p>STYLE C PAGE 54-57 NFPA-MP1</p>  <p>CAP CLEVIS 1 1/2-20" BORE</p>	<p>STYLE DC PAGE 58-59 NFPA-MP2</p>  <p>CAP DETACHABLE CLEVIS 1 1/2-6" BORE</p>	<p>STYLE U PAGE 60-63 NFPA-MT1</p>  <p>HEAD TRUNNION 1 1/2-20" BORE</p>	<p>EXTENDED KEY PLATE (ADD "S" IN PART # AND STATE EXTENDED KEY PLATE IN DESCRIPTION)</p>  <p>1 1/2-6" BORE PAGE 75</p>
<p>STYLE V PAGE 54-57 NFPA-MP3</p>  <p>CAP FIXED EYE 1 1/2-20" BORE</p>	<p>STYLE DV PAGE 58-59 NFPA-MP4</p>  <p>CAP DETACHABLE EYE 1 1/2-6" BORE</p>	<p>STYLE W PAGE 60-63 NFPA-MT2</p>  <p>CAP TRUNNION 1 1/2-20" BORE</p>	
<p>STYLE Q PAGE 52-53 NFPA-MPU3</p>  <p>SPHERICAL BEARING 1 1/2-14" BORE</p>		<p>STYLE T PAGE 60-63 NFPA-MT4</p>  <p>INTERMEDIATE FIXED TRUNNION 1 1/2-14" BORE</p>	<p>DOUBLE ROD END (ADD "D" AFTER MOUNT STYLE)</p>  <p>1 1/2-20" BORE PAGE 74-75</p>