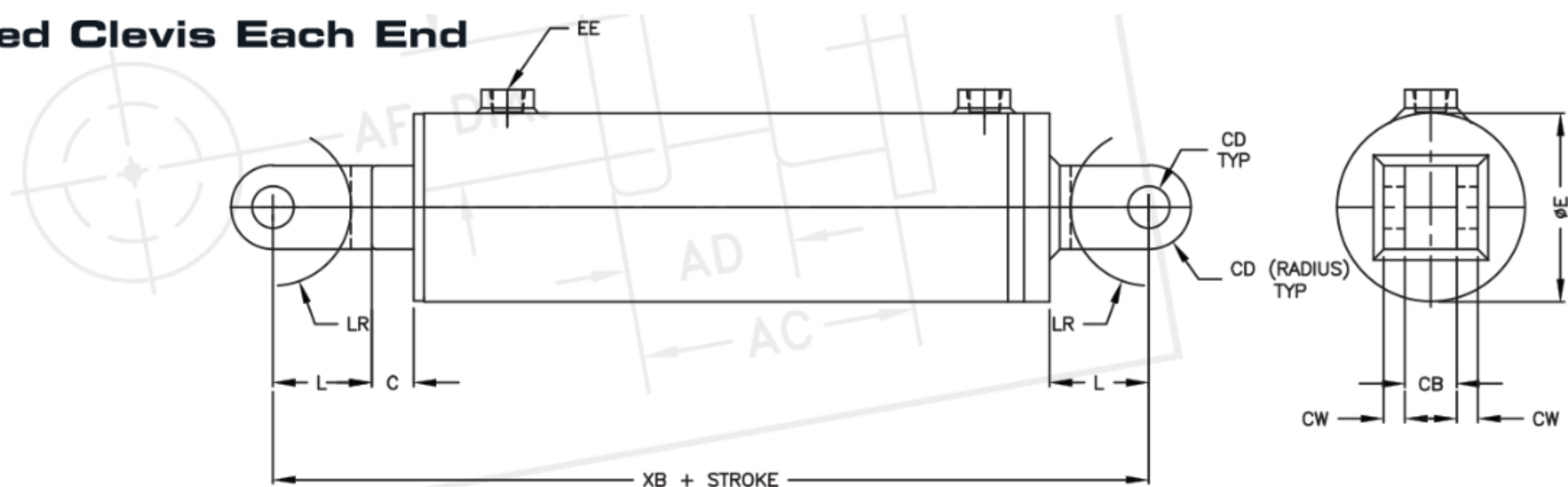


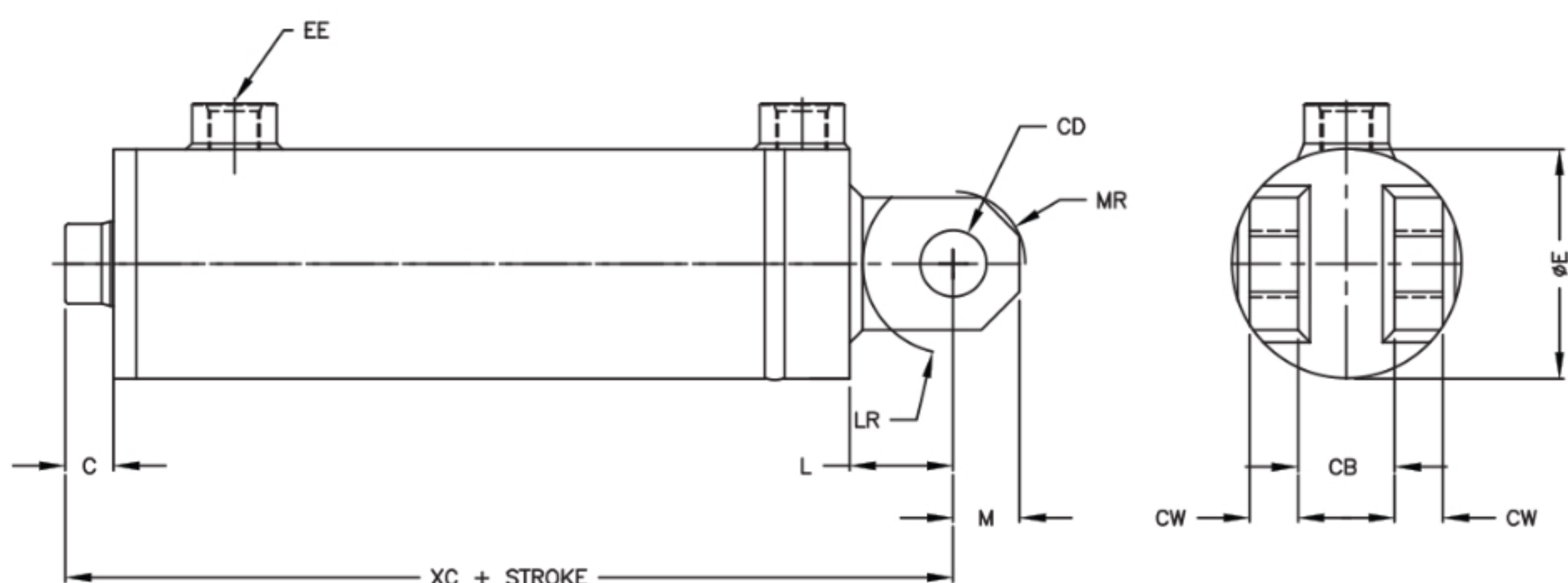
Welded Clevis Each End



YATES STYLE "B"

1 1/2" - 8" BORE

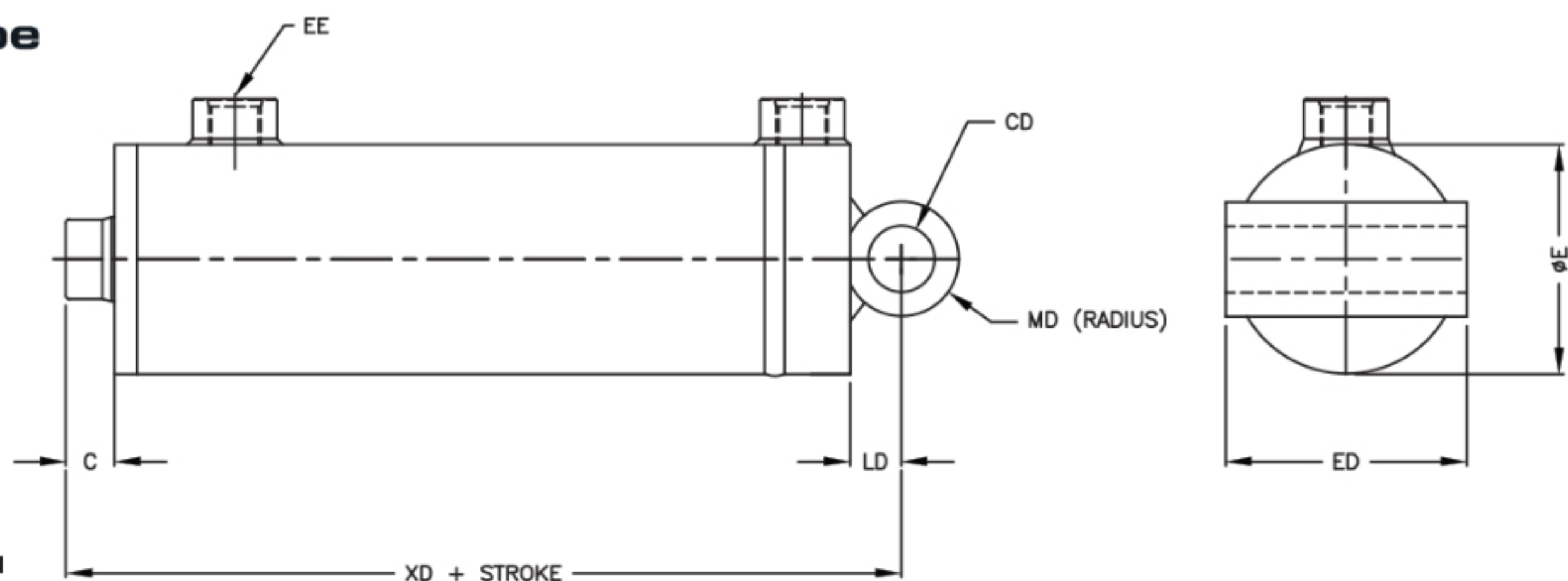
Cap Clevis



YATES STYLE "C"

1 1/2" - 8" BORE

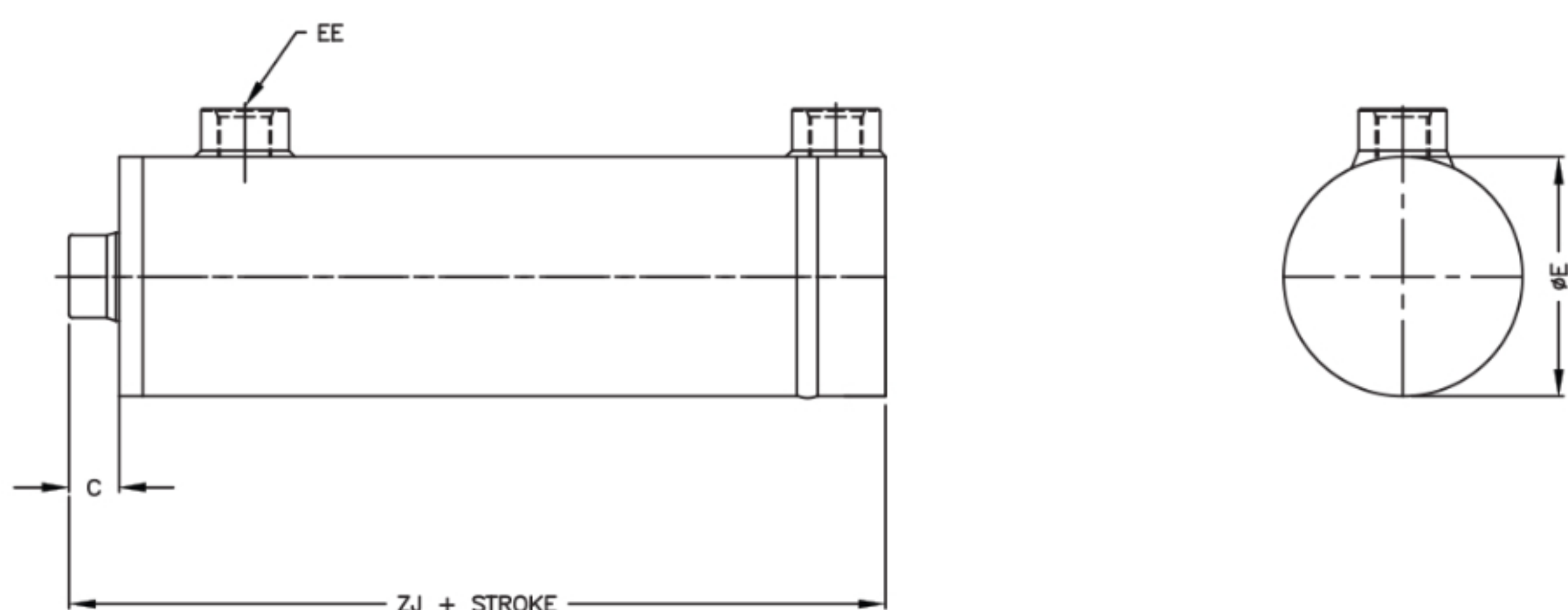
Cap Crosstube



YATES STYLE "D"

1 1/2" - 8" BORE

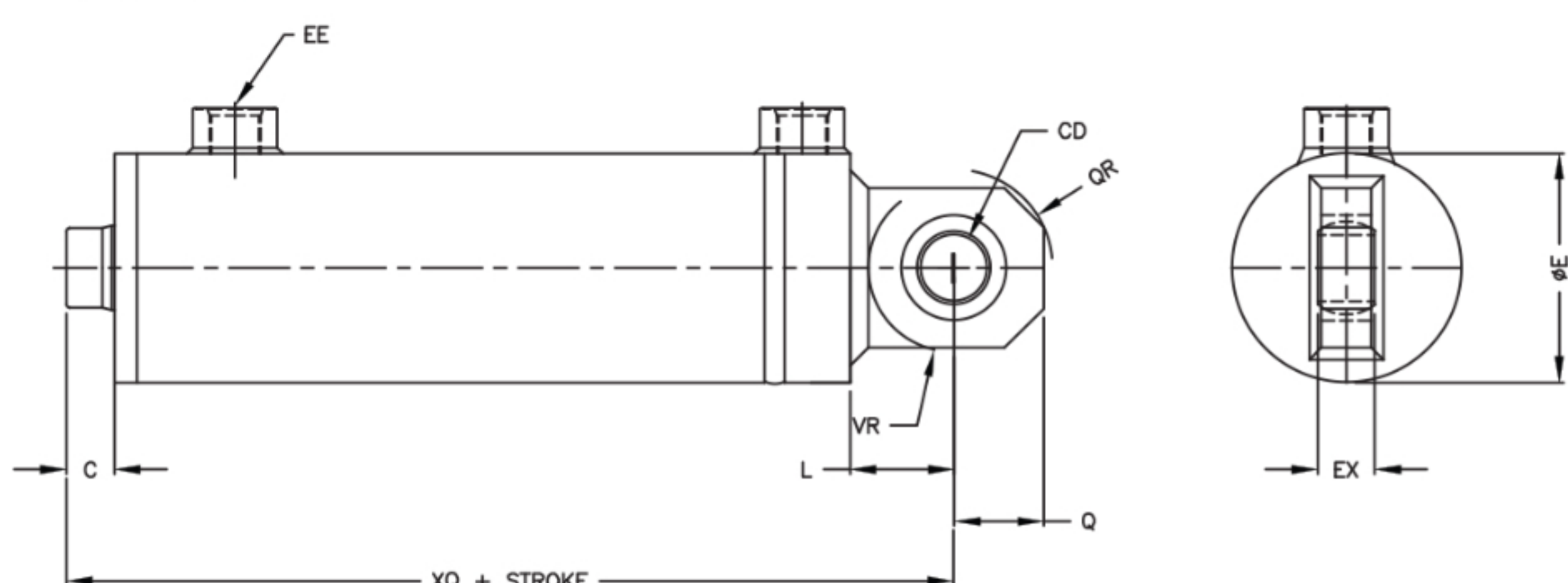
No Mount



YATES STYLE "K"

1 1/2" - 8" BORE

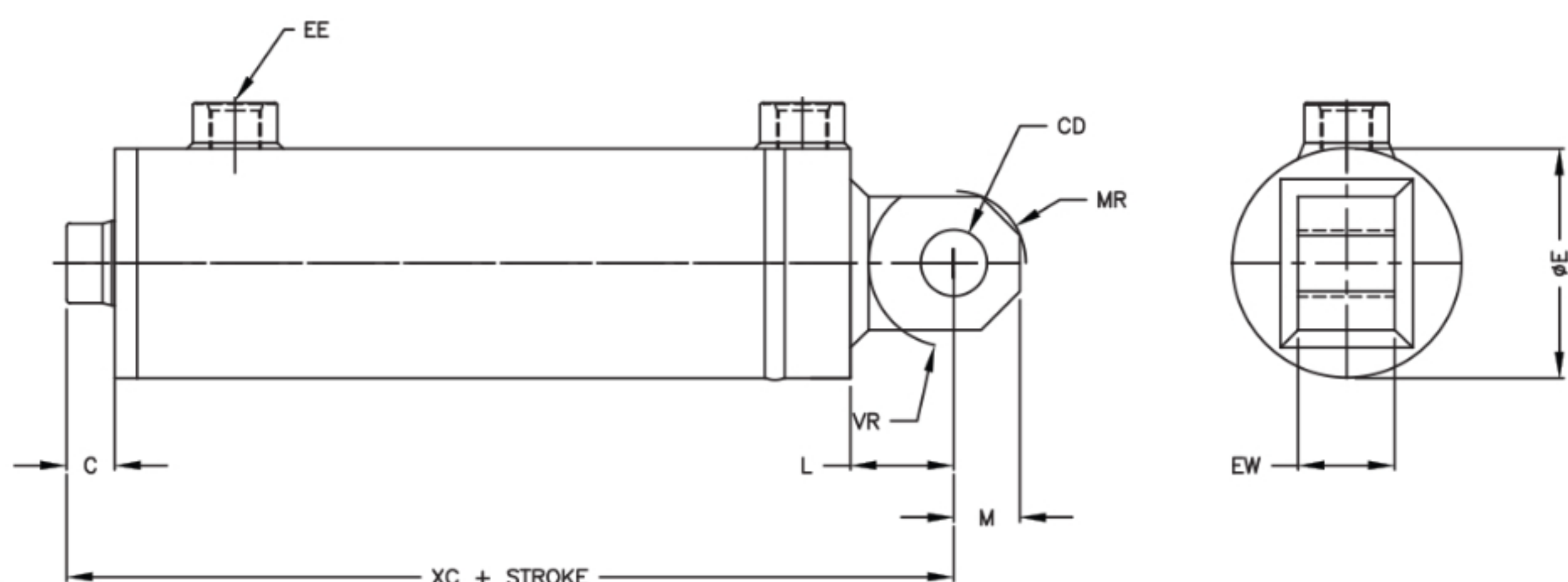
Cap Spherical Bearing



YATES STYLE "Q"

1 1/2" - 8" BORE

Cap Eye



YATES STYLE "V"

1 1/2" - 8" BORE