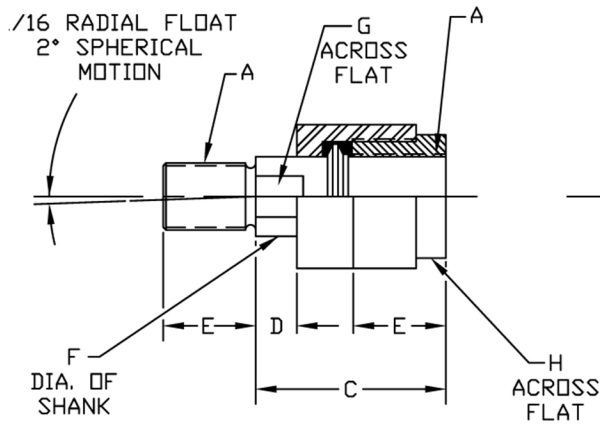


# YATES ACCESSORIES

## ROD COUPLERS



PART NUMBER	ROD DIA.	A	B	C	D	E	F	G	H	MAX PULL
11-YAC-2-05	5/8	7/16-20	1 1/4	2	1/2	3/4	5/8	9/16	1 1/8	10,000
11-YAC-2-06	5/8	1/2-20	1 1/4	2	1/2	3/4	5/8	9/16	1 1/8	14,000
11-YAC-2-07	5/8	5/8-18	1 1/4	2	1/2	3/4	5/8	1/2	1 1/8	14,000
11-YAC-2-08	1	3/4-16	1 3/4	2 5/16	5/16	1 1/8	31/32	7/8	1 1/2	34,000
11-YAC-2-09	1	7/8-14	1 3/4	2 5/16	5/16	1 1/8	31/32	7/8	1 1/2	34,000
11-YAC-2-11	1 3/8	1-14	2 1/2	2 15/16	1/2	1 5/8	1 3/8	1 1/4	2 1/4	64,000
11-YAC-2-14	1 3/8	1 1/4-12	2 1/2	2 15/16	1/2	1 5/8	1 3/8	1 1/4	2 1/4	64,000
11-YAC-2-15	1 3/8	1 3/8-12	2 1/2	2 15/16	1/2	1 5/8	1 3/8	1 1/4	2 1/4	64,000
11-YAC-2-16	2	1 1/2-12	3 1/4	4 3/8	13/16	2 1/4	1 3/4	1 1/2	3	120,000
11-YAC-2-17	2	1 3/4-12	3 1/4	4 3/8	13/16	2 1/4	1 3/4	1 1/2	3	120,000
11-YAC-2-20	2 1/2	1 7/8-12	3 3/4	5 7/16	11/16	3	2 1/4	1 7/8	3 1/2	240,000
11-YAC-2-21	2 1/2	2-12	3 3/4	5 7/16	11/16	3	2 1/4	1 7/8	3 1/2	240,000
11-YAC-2-24	3	2 1/4-12	6 3/4	6 3/8	1	3 1/2	2 3/4	2 3/8	2 7/8	397,000
11-YAC-2-28	3 1/2	2 1/2-12	7	6 1/2	1	3 1/2	3 1/4	2 7/8	3 3/8	495,000
11-YAC-2-29	3 1/2	2 3/4-12	7	6 1/2	1	3 1/2	3 1/4	2 7/8	3 3/8	603,800
11-YAC-2-36	4 1/2	3 1/4-12	9 1/4	8 1/2	1	4 1/2	4	3 3/8	4 1/2	853,800
11-YAC-2-37	4 1/2	4 1/4-12	12 7/8	11 1/4	1	4 1/2	5 1/2	4 7/8	7	1,483,400